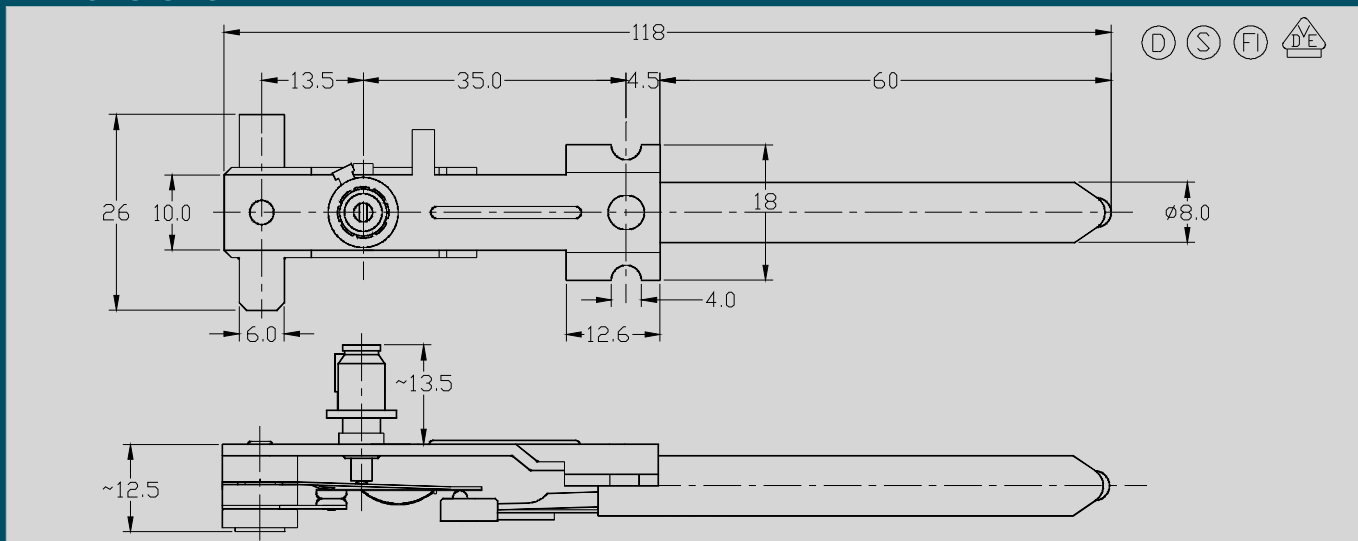


PP135350

Thermostat
with snap-action contacts

Dimensions



Function

The contact opens as soon as the set temperature is reached and closes automatically when the temperature has dropped by the differential.

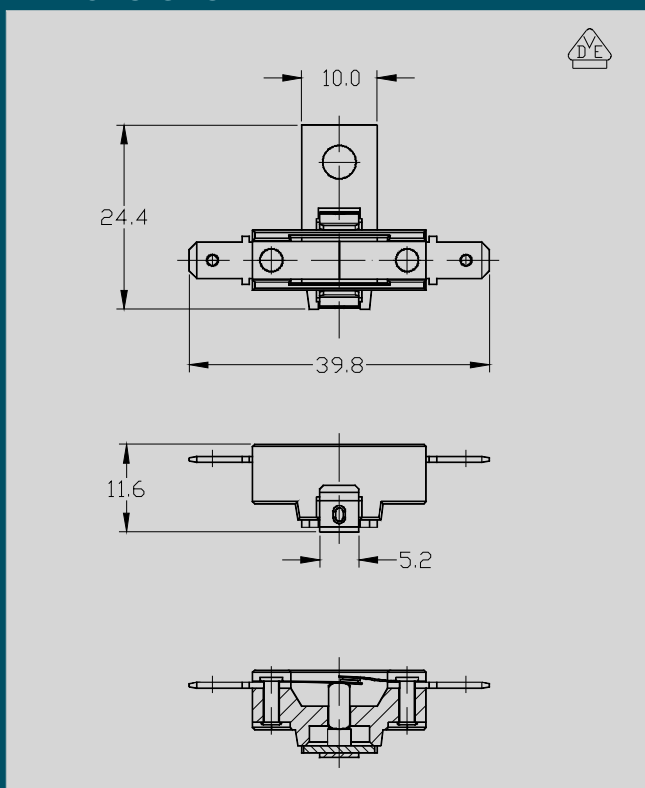
Specifications

Rated voltage	250 Vac	120 Vac
Rated current	10A	15A
Test class	II (100,000 cycles)	
Maximum temperature	250° C	
Operating range	0...250° C	
Tolerance	+/-5%	
Differential	10-25° C	
Rotating angle	100- 300 degrees	
Temperature changing speed	> 1 K/min	
Design	Complies to EN 60730	
Approval	VDE	
Adjusting spindle	min 10 - max 50 mm	

TF2

Thermal Cut-Off

Dimensions



Function

The TF2 is equipped with a solder insert placed in direct contact with the sensing plate. Upon reaching the specified temperature, the solder melts, opening the electrical contacts. Resetting is impossible.

Features

- high holding temperature
- no chemical aging risk
- Reliable ceramics housing
- Easy mounting
- Solid construction

Specifications

Rated voltage	AC 250V	10A(VDE)
Rated current	AC 120V	15A
Maximum temperature limit	500° C	
Rated functioning temperature	255° C	
Holding temperature	230° C	
Tolerance	-10° C	
Proof tracking index	CTI 250	
Design	Complies to EN 60691	