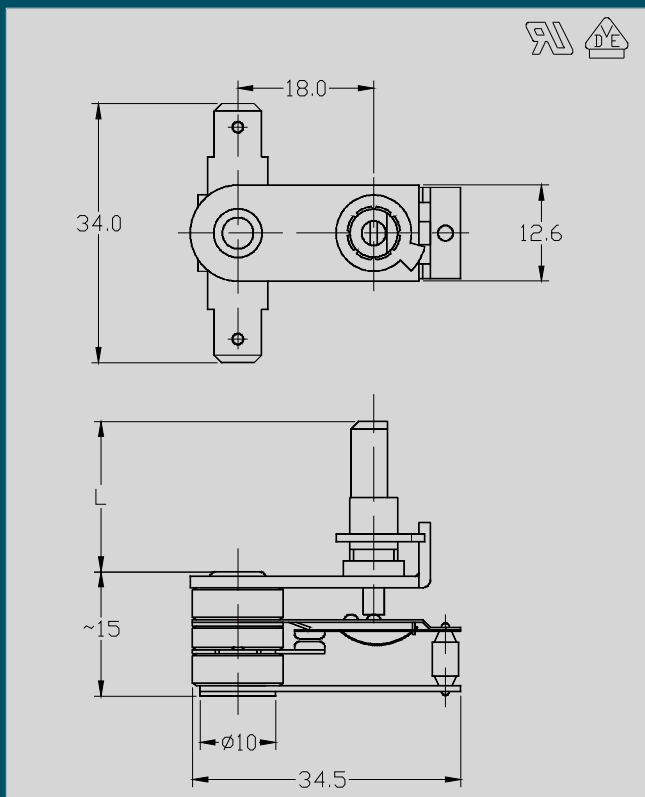


P180 Bimetallic Thermostat with snap-action contacts

Dimensions



Features

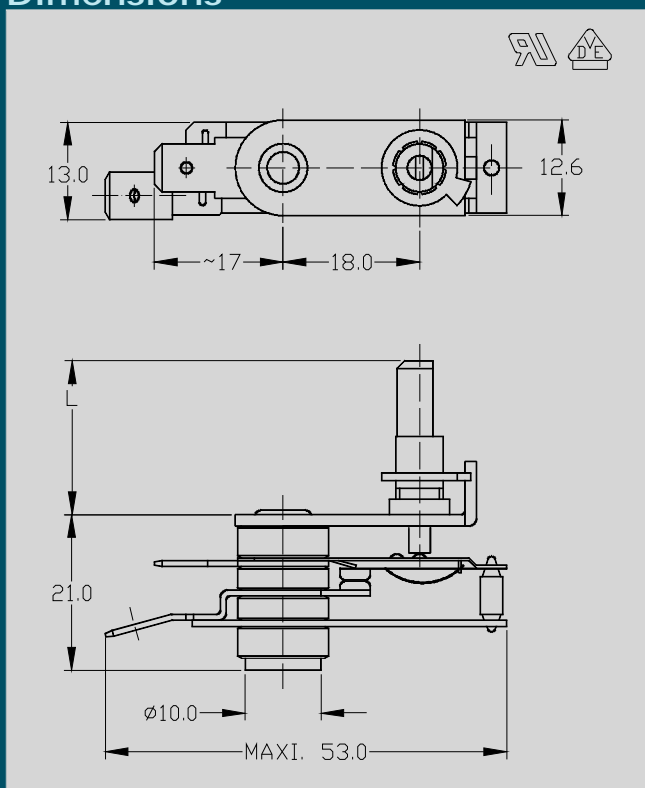
- consistent temperature vs. angle correlation
- low differential
- easy mounting
- solid construction
- good heat transfer to bimetal
- customer designed spindles and terminals

Specifications

Rated voltage	250 Vac	120 Vac
Rated current	10A	15A
Test class	II (100,000 cycles)	
Maximum temperature	250° C	
Operating range	0...250° C	
Tolerance	+/-5%	
Differential	10-25° C	
Rotating angle	100- 300 degrees	
Temperature changing speed	> 1 K/min	
Design	Complies to EN 60730	
Approval	VDE	UL
Adjusting spindle	min 10 - max 50 mm	

PH180 Infinite Energy Control with snap-action contacts

Dimensions



Application

Especially for ovens, grills, table stoves and other designs where the thermostat mounting location is not sufficient to perform desired control.

Function

The current flows through the bimetal when the contacts close. The combined influence of ambient heat and the heat from the bimetal itself will actuate the contacts to open. The on-off cycle ratio is a function of the thermostat temperature setting so that it works as an infinite energy control.

Specifications

Rated voltage	250 Vac	120 Vac
Rated current	10A	15A
Test class	II (100,000 cycles)	
Maximum temperature	250° C	
Operating range	0...250° C	
Tolerance	+/-5%	
Differential	10-25° C	
Rotating angle	100- 300 degrees	
Temperature changing speed	> 1 K/min	
Design	Complies to EN 60730	
Approval	VDE	
Adjusting spindle	min 10 - max 50 mm	